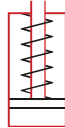


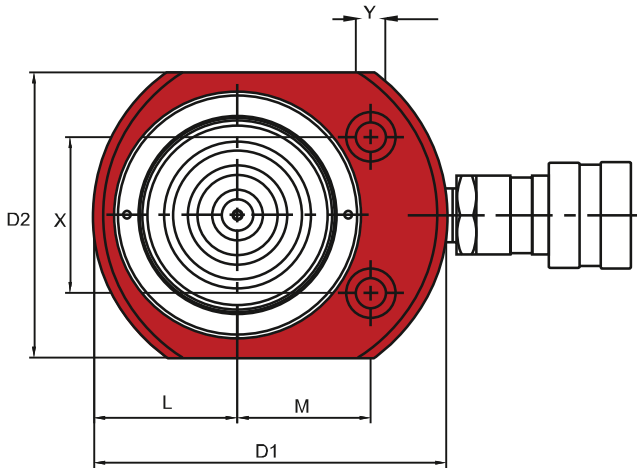


Flat Body Cylinders

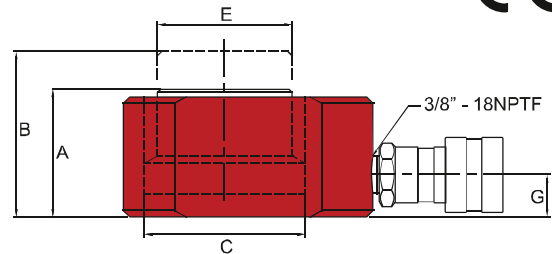
Extremely Low Lifting



- Extremely low collapsed height for applications with minimal clearance at the lift point
- Maximum working pressure 10,000 psi / 700 bar
- HF0503 and HF0503B include a 3/8" regular flow coupler (CR38F)



HF Series



HF5006 in the collapsed position ready to lift a load with a PA1500 foot pump.



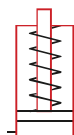
Cylinder Capacity	Stroke (mm)	Model Number	Cylinder Effective Area (cm ²)	Oil Capacity (cc)	Weight (kg)
5 Ton / 44 kN	16	HF0500	7.1	11	0.9
5 Ton / 44 kN	6	HF0503*	7.1	4	0.6
10 Ton / 89 kN	11	HF1005	15.2	17	1.5
20 Ton / 178 kN	11	HF2005	28.3	31	2.7
30 Ton / 267 kN	13	HF3005	41.9	54	4.4
50 Ton / 445 kN	16	HF5006	63.6	102	6.8
75 Ton / 667 kN	16	HF7506	103.9	166	11.5
100 Ton / 890 kN	16	HF10006	126.7	203	14.3
150 Ton / 1495 kN	16	HF15006	197.9	316	24.2

Model Number	Collapsed Height A (mm)	Extended Height B (mm)	Cylinder Bore Dia. C (mm)	Outside Dia. D1 x D2 D (mm)	Plunger Dia. E (mm)	Base to Inlet Port G (mm)	Plunger to Base L (mm)	Plunger to Mtg. Hole M (mm)	Hole Pitch X (mm)	Hole Dia. Y (mm)	Counter Bore Dia. (mm)	Counter Bore Depth (mm)
HF0500	41	57	30	60x40	25	19	20	22	28	5	10	6
HF0503*	32	38	30	61x41	25	18	20	22	28	5	8	4
HF1005	43	54	44	84x56	38	20	28	34	37	7	11	8
HF2005	51	62	60	102x76	51	19	39	40	49	10	15	10
HF3005	59	72	73	117x97	64	20	48	44	52	10	16	11
HF5006	67	83	90	114x114	70	20	57	54	67	11	19	13
HF7506	80	96	115	165x140	90	20	70	67	76	13	21	14
HF10006	86	102	127	178x152	90	20	76	75	76	13	21	14
HF15006	100	116	159	216x191	118	24	3.75	95	117	13	21	14

*HF0503 is fitted with the CR38F coupler instead of CH38F

Flat Body Cylinder Kits

HF Series - Kits



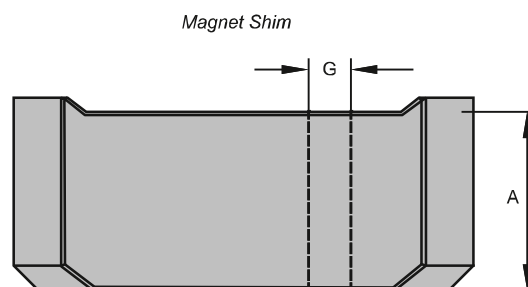
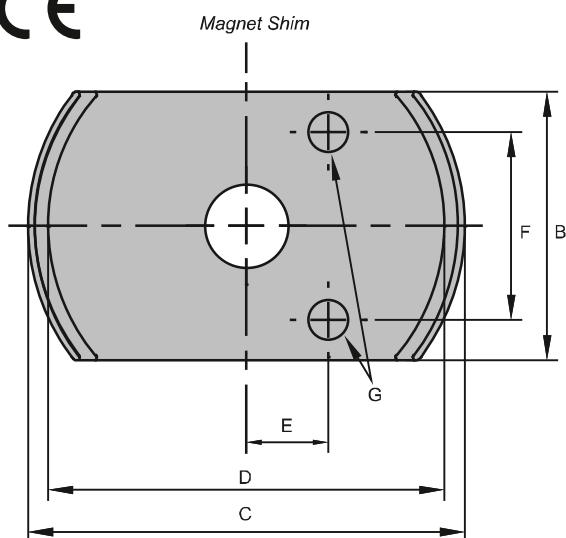
- Various height stackable magnetic adapters eliminate dangerous cribbing
- Convenient carrying case
- Magnetic adapters are stackable
- U.S. Patent No.7,237,762 B2

HF Series

80%

Safety Practices
Good industry practice recommends not exceeding 80% of maximum rated capacities of all our products.

High-Flow Couplers
High-Flow Coupler: CH38F is included on all models (except where specified)



Cylinder Capacity	Stroke (mm)	Model Number	Cylinder Model	Oil Capacity (cc)	Collapsed Height (mm)	Weight (kg)	Adapter Dimensions						
							A (mm)	B (mm)	C (mm)	D (mm)	E (mm)	F (mm)	G (mm)
5 Ton 44 kN	6	HF0503B**	HF0503	4	32	2.5	4	41	65	59	12	28	6
							11	41	65	59	12	28	6
							23	41	65	59	12	28	6
							30	41	65	59	12	28	6
10 Ton 89 kN	11	HF1005B	HF1005	17	43	4.2	10	56	90	82	21	37	7
							20	56	90	82	-	-	-
							40	56	90	82	-	-	-
20 Ton 178 kN	11	HF2005B	HF2005	31	51	6.8	10	76	108	100	27	49	10
							20	76	108	100	-	-	-
							40	76	108	100	-	-	-
30 Ton 267 kN	13	HF3005B	HF3005	54	59	9.5	10	95	121	113	34	52	10
							20	95	121	113	-	-	-
							40	95	121	113	-	-	-
50 Ton 445 kN	16	HF5006B	HF5006	102	67	14.7	10	114	150	141	41	67	11
							20	114	150	141	-	-	-
							40	114	150	141	-	-	-

**HF0503B is fitted with the coupler CR38F