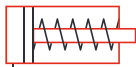




Threaded Cylinders



HT Series

- Ideal for frame pulling machines
- Threaded rod and base
- Single acting cylinders with spring return
- Removable threaded Rod adapter used to attach accessories to rod end and base
- Maximum working pressure: 10,000 psi / 700 bar



HT Series



Safety Practices

Good industry practice recommends not exceeding 80% of maximum rated capacities of all our products.



Safety Instructions

Visit our DO'S and DON'TS section to review the best methods of operation. Always be prepared. pg 92



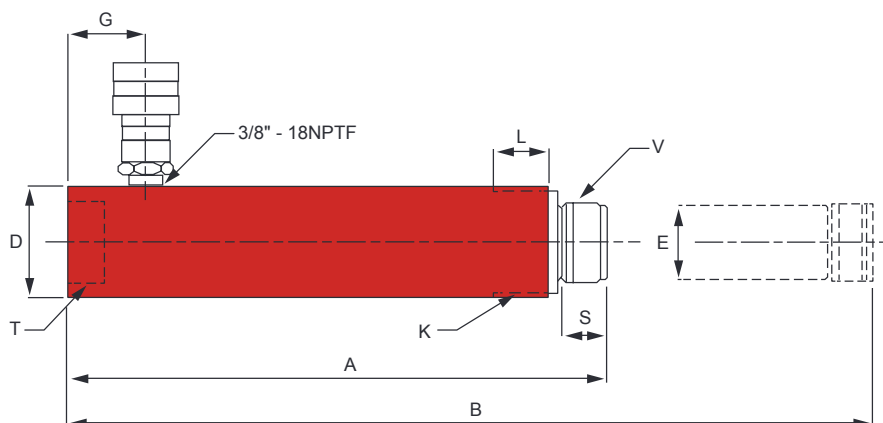
Combo Kits

Most cylinders are available in easy to order kits: cylinder, gauge, couplers, hose and pump. pg 64



High-Flow Couplers

High-Flow Coupler: CH38F is included on all models (except where specified).



Cylinder Capacity (tons)	Stroke (in)	Model Number	Cylinder Effective Area (in ²)	Internal Pressure at Capacity (psi)	Oil Capacity (in ³)	Collapsed Height A (in)	Extended Height B (in)	Weight (lbs)
4	5.07	HT0405*	1.00	10,120	5.00	10.31	15.39	5.0
10	5.95	HT1006	2.24	8,928	13.33	11.46	17.41	10.6
	9.96	HT1010	2.24	8,928	22.30	15.47	25.43	14.1
20	5.16	HT2005	5.14	10,741	25.70	11.77	16.93	22.0

Model Number	Outside Dia. D (in)	Rod Dia. E (in)	Base to Inlet Port G (in)	Collar K	Collar Thread Length L (in)	Saddle Height S (in)	Base Threads T (in)	Rod Threads V (in)
HT0405*	1.50	1.33	1.33	1.5"-16UNF	0.94	1.00	3/4" - 14 NPSM	0.75" - 14 NPTF
HT1006	2.26	1.49	1.67	2.25"-14UN	1.13	0.94	1.25" -11.5 NPSM	1.25" -11.5 NPSM
HT1010	2.26	1.49	1.67	2.25"-14UN	1.13	0.94	1.25" -11.5 NPSM	1.25" -11.5 NPSM
HT2005	3.35	2.24	1.85	3.31"-12UN	1.98	1.40	2" -11.5 NPTF	2" -11.5 NPSM

* Cylinder comes with a coupler: CRZ14F instead of CH38F