

BOURDON TUBE SYSTEM



MODEL #150 SERIES ABS PLASTIC CASE

MAMOMETER

MODEL #151 SERIES PAINTED STEEL CASE

TECHNICAL FEATURES

Nominal Size

- DN40, DN50, DN63 and DN100

Housing

- model #150 series with black ABS plastic
- model #151 series with black painted steel case

Window

- snap-in acrylic

Dial

- aluminum material, with stop pin
- custom dial layout

Pointer

- aluminum material, black finished, un-adjustable

Connector(according to EN837-1)

- copper alloy
- 1/8", 1/4", 3/8", 1/2"
- NPT, BSP, BSPT
- restrictor as option
- custom designs are available

Pressure Element

- phosphor bronze
- 30"Hg(vacuum) to 1000psi in C-form
- range > 1500psi in helical

Welding

- tin alloy
- silver alloy for pressure > 1500psi(100bar)

Movement

- copper alloy

Pressure Range(according to EN837-1)

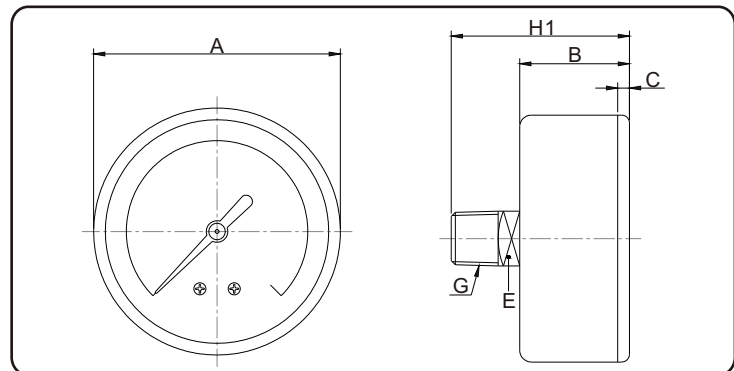
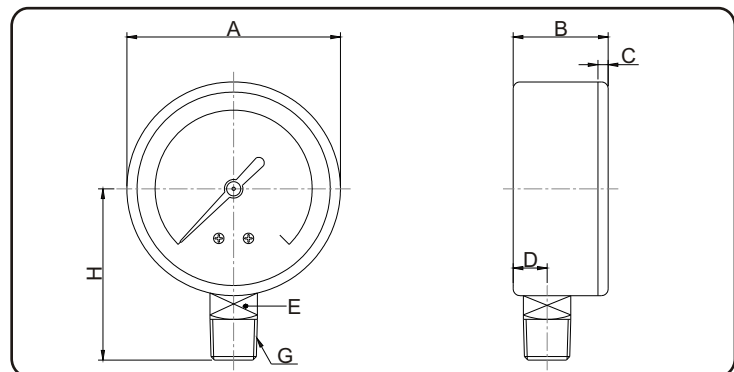
- vacuum through 15000psi(1000bar)
- compound range available

Accuracy

- +/-2.0% of full scale for DN40, DN50 and DN63 as standard
- +/-1.6% and $\pm 3/2/3\%$ of span also as options
- +/-1.0% of full scale for DN100

Over-pressure

- 120% of full scale



Dimension data

DN	A	B	C	D	E	G	H	H1
40	41	24	2.5	9	11	1/8	36	39
50	53	27.5	3	10	14	1/4	45	46
60	63	28	3	10	1/14	1/4	51	46
100	99.5	34	3.5	14.5	22	1/2	82	68