

Preparation unit—G Series

GPF Series Oil mist filter



Specification

Model	GPF20006	GPF20008	GPF30008	GPF30010	GPF40010	GPF40015
Fluid	Air					
Port size [Note1]	1/8"	1/4"	1/4"	3/8"	3/8"	1/2"
Filtering grade	M 0.3 μm (Capture efficiency 99.9%)					
	D 0.01 μm (Capture efficiency 99.9%)					
Pressure range	0.15~1.0MPa					
Proof pressure	1.5MPa					
Temperature range	-5~70°C(Unfreeze)					
Bowl Material	Polycarbonate, Nylon, Metal					
Capacity of drain bowl	19CC		54.5CC		89CC	
	PC bowl		356g		620g	
Weight	207g		397g		627g	
	Metallic bowl		356g		627g	

[Note1] G thread is available.

Symbol



Product feature

1. Low pressure drop, high oil mist remove efficiency up to 99% and large drain bowl.
2. 0.3 μm and 0.01 μm filtering grade are available.
3. Two drain types are available: manual and semi-auto drain, and automatic drain.
4. To meet the needs of different environment the bowl material has Poly Carbonate, nylon and metal can be selected.
5. Monomeric products can select the bracket for installation, others can be used with F.R.L Combination.

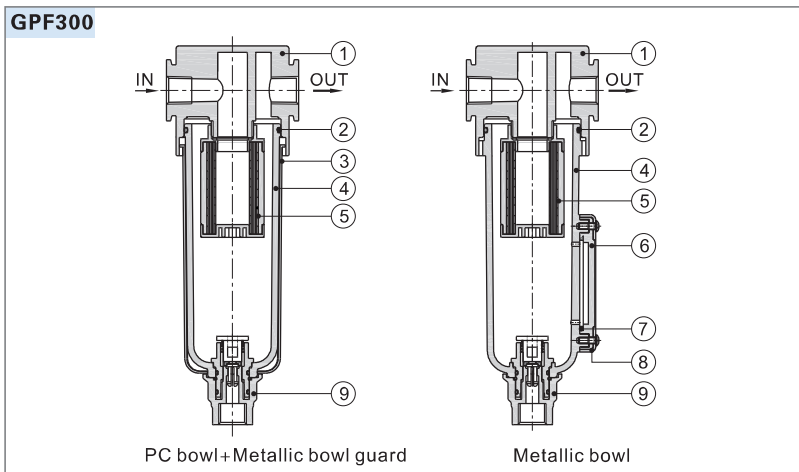
Ordering code

GPF300 08 M G

① ② ③ ④ ⑤ ⑥ ⑦

① Model	② Bowl Material	③ Port size	④ Drain type	⑤ Accessories	⑥ Filtering grade	⑦ Thread type
GPF200: 200 Series Oil mist filter	Blank: PC bowl+Metallic bowl guard	06: 1/8" 08: 1/4"	Blank: Manual and Semi-auto drain A: Automatic drain	Blank: Bracket J: No bracket	M: 0.3 μm D: 0.01 μm	G: G
GPF300: 300 Series Oil mist filter	C: Metallic bowl N: Nylon bowl+Metallic bowl guard	08: 1/4" 10: 3/8"				
GPF400: 400 Series Oil mist filter		10: 3/8" 15: 1/2"				

Inner structure

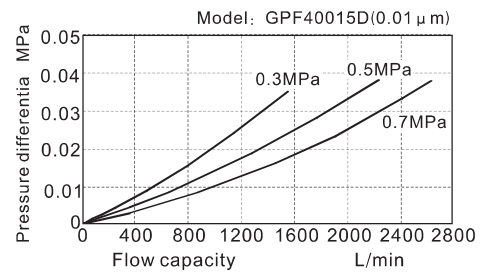
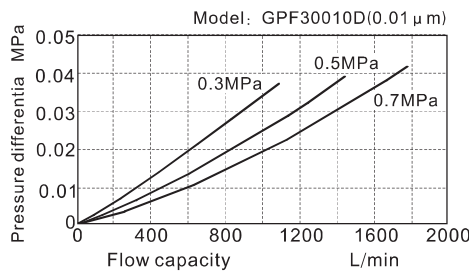
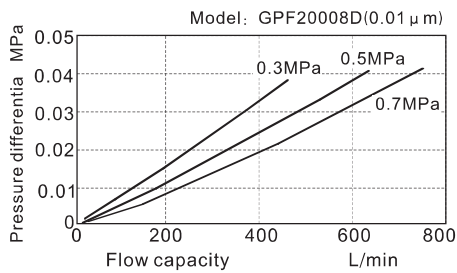
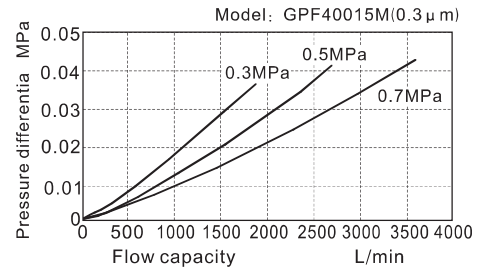
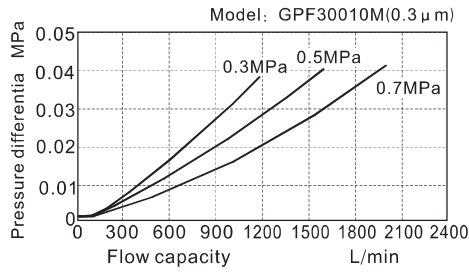
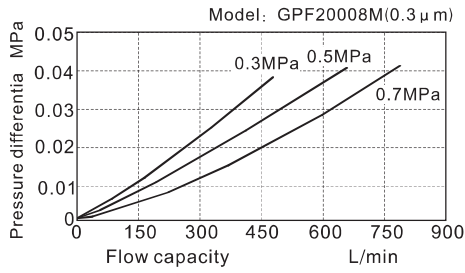


No.	Item	Material
1	Body	Aluminium alloy
2	O-ring	NBR
3	Meter cover	SPCC
4	Drain bowl	PC\nylon\aluminium alloy
5	Filter core	Polymer materials
6	Liquid meter cover	PC
7	Liquid meter seal	NBR
8	Liquid meter inside cover	SPCC
9	Drain connection	Plastic

Preparation unit — G Series

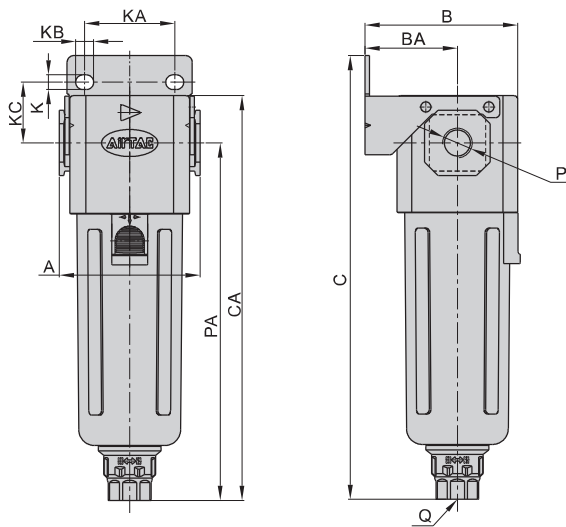
GPF Series Oil mist filter

Flow chart

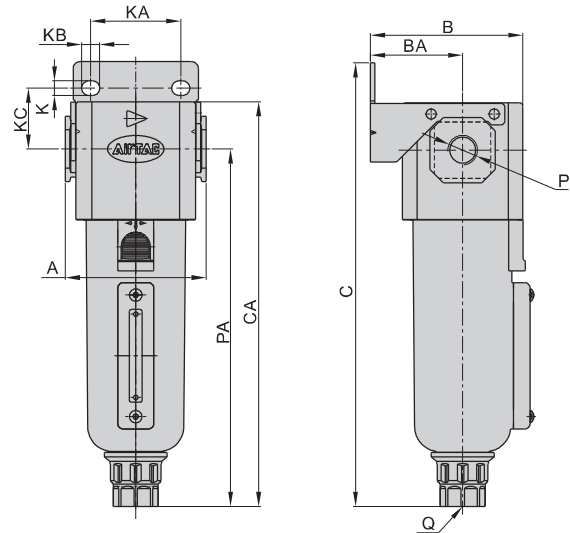


Dimensions

PC bowl+Metallic bowl guard



Metallic bowl



Model\Item	A	B	BA	C	CA	K	KA	KB	KC	P	PA	Q
GPF200(C/N)06	52.5	54.5	33	150	137	5.4	27	8.4	23	1/8"	120	M5X0.8
GPF200(C/N)08	52.5	54.5	33	150	137	5.4	27	8.4	23	1/4"	120	M5X0.8
GPF300(C/N)08	62.5	67.8	41	197	179	6.5	40	8	27	1/4"	158	G1/4
GPF300(C/N)10	62.5	67.8	41	197	179	6.5	40	8	27	3/8"	158	G1/4
GPF400(C/N)10	80	84	50	220	202.5	8.5	55	11	33.5	3/8"	177.5	G1/4
GPF400(C/N)15	80	84	50	220	202.5	8.5	55	11	33.5	1/2"	177.5	G1/4