

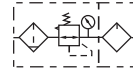
Preparation unit—G Series

GFC Series F.R.L. combination

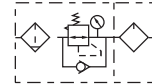


Symbol

No reflux valve is attached



Reflux valve is attached



Product feature

1. Quick and reliable mounting clamps makes it convenient to install and use.
2. The performance of pressure adjustment is reliable with high precision.
3. The efficiency of eliminating moisture and solid grain is high.
4. Three drain types are available: manual drain, semi-auto drain and automatic drain.

Specification

Model	GFC200-06	GFC200-08	GFC300-08	GFC300-10	GFC300-15	GFC400-10	GFC400-15	GFC600-20	GFC600-25	
Fluid	Air									
Port size [Note1]	1/8"	1/4"	1/4"	3/8"	1/2"	3/8"	1/2"	3/4"	1"	
Filtering grade	40 μm or 5 μm									
Pressure range	Semi-auto and automatic drain: 0.15~0.9MPa(20~130psi); Manual drain: 0.05~0.9MPa(7~130psi)									
Max. pressure	1.0MPa(145psi)									
Proof pressure	1.5MPa(215psi)									
Temperature range	-5~70°C(Unfreeze)									
Capacity of drain bowl	10CC		40CC			80CC		230CC		
Capacity of oil bowl	25CC		75CC			160CC		380CC		
Recommended lubricant	ISO VG 32 or equivalent									
Weight	430g			980g			1950g		4320g	
Constitute	Filter-Regulator	GFR200-06	GFR200-08	GFR300-08	GFR300-10	GFR300-15	GFR400-10	GFR400-15	GFR600-20	GFR600-25
	Lubricator	GL200-06	GL200-08	GL300-08	GL300-10	GL300-15	GL400-10	GL400-15	GL600-20	GL600-25

[Note1] G thread is available.

Ordering code

GFC200 08 M L □ F 1 W G K

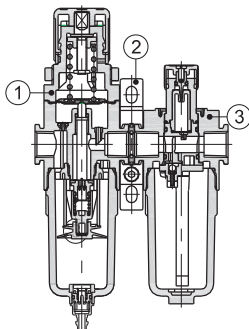
① ② ③ ④ ⑤ ⑥ ⑦ ⑧ ⑨ ⑩

① Model	② Port size	③ Drain type	④ Type code	⑤ Pressure gauge	⑥ Pressure gauge shape	⑦ Scale	⑧ Filtering grade	⑨ Thread type	⑩ Code of reflux valve [Note2]
GFC200: G200 Series FR.L unit	06: 1/8" 08: 1/4"	Blank: Semi-auto drain M: Manual drain							
GFC300: G300 Series FR.L unit	08: 1/4" 10: 3/8" 15: 1/2"		Blank: Standard L: Lower pressure [Note1]	Blank: Pressure gauge N: No pressure gauge	F: Square C: Circular	1: MPa 2: psi 3: bar	Blank: 40 μm W: 5 μm	G: G	Blank: No reverse flow valve is attached K: Reverse flow valve is attached
GFC400: G400 Series FR.L unit	10: 3/8" 15: 1/2"	Blank: Semi-auto drain M: Manual drain A: Automatic drain							
GFC600: G600 Series FR.L unit	20: 3/4" 25: 1"								

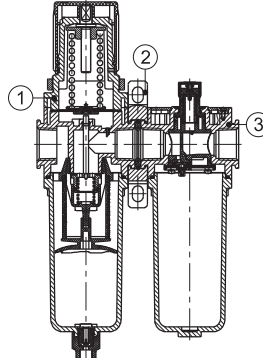
[Note1] The maximum work pressure of lower pressure type is 0.4MPa(58psi); [Note2] Please refer to page 170 for details of reflux valve.

Inner structure

GFC200



GFC600



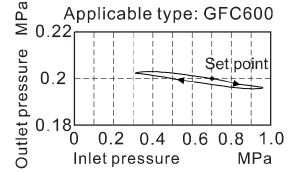
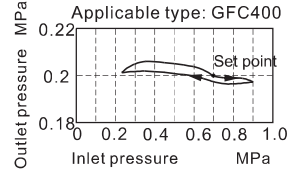
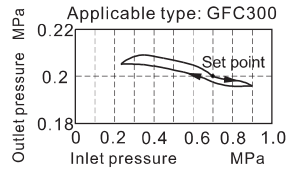
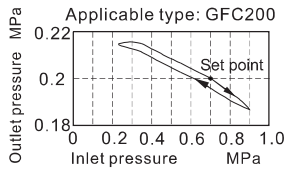
No.	Item
1	G series filter-regulator
2	Bracket
3	G series lubricator

Preparation unit—G Series

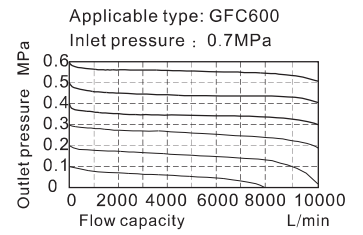
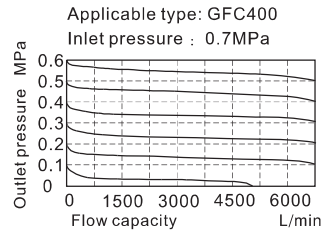
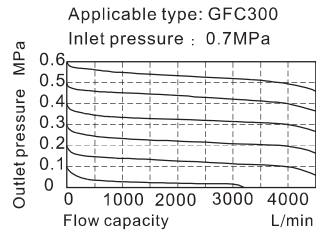
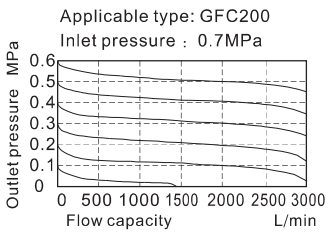


GFC Series F.R.L. combination

Pressure chart

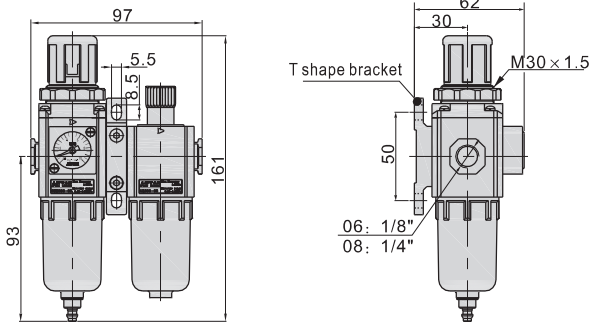


Flow chart

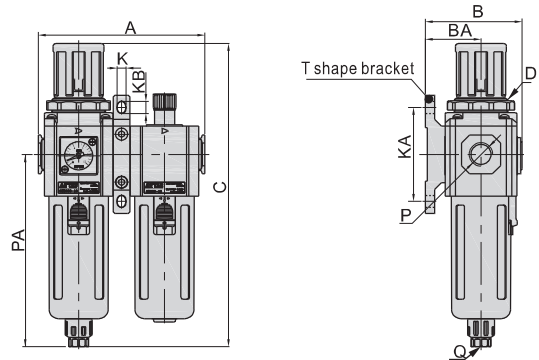


Dimensions

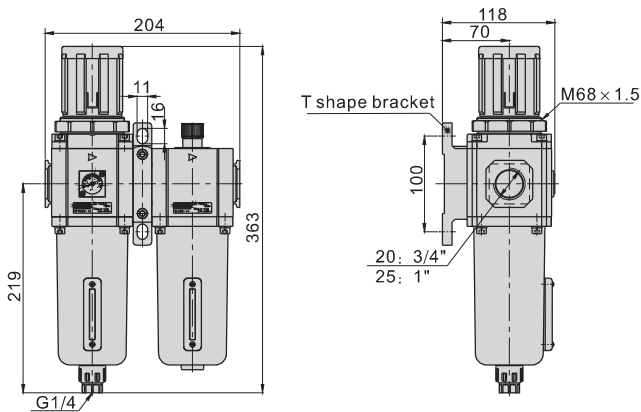
GFC200



GFC300\GFC400



GFC600



Model\Item	A	B	BA	C	D	K	KA	KB	P	PA	Q
GFC300-08	124	72	41.5	225.5	M40x1.5	6.5	70	9	1/4"	143	G1/8
GFC300-10	124	72	41.5	225.5	M40x1.5	6.5	70	9	3/8"	143	G1/8
GFC300-15	124	72	41.5	225.5	M40x1.5	6.5	70	9	1/2"	143	G1/8
GFC400-10	164	89	50	270.5	M55x2.0	8.5	80	12	3/8"	166.5	G1/4
GFC400-15	164	89	50	270.5	M55x2.0	8.5	80	12	1/2"	166.5	G1/4

