

Fluid control valve(2/2way)

Coil and accessories



COIL

Specification

Type Item	Power	Voltage (V)	Frequency (Hz)	Voltage range	Electrical entry	Power Consumption(VA/W)		Insulation	Temp rise(°C)	
						For NC	For NO		NC	NO
116 Series	AC	220	50	± 15%	DIN Terminal	10.0VA	15.0VA	Class B	35	50
			60			8.0VA	11.0VA		30	40
		110	50			10.0VA	15.0VA		35	50
			60			8.0VA	11.0VA		30	40
	24	50	10.0VA	15.0VA	35	50				
		60	8.0VA	11.0VA	30	40				
	DC	24	-	± 10%	6.5W		30		30	
		12								
170 Series	AC	220	50	± 15%	DIN Terminal	25.0VA	35.0VA	Class H	60	65
			60			22.0VA	30.0VA		55	60
		110	50			25.0VA	35.0VA		60	65
			60			22.0VA	30.0VA		55	60
		24	50			25.0VA	35.0VA		60	65
			60			22.0VA	30.0VA		55	60
	DC	24	-	± 10%	10.5W		40		40	
		12								

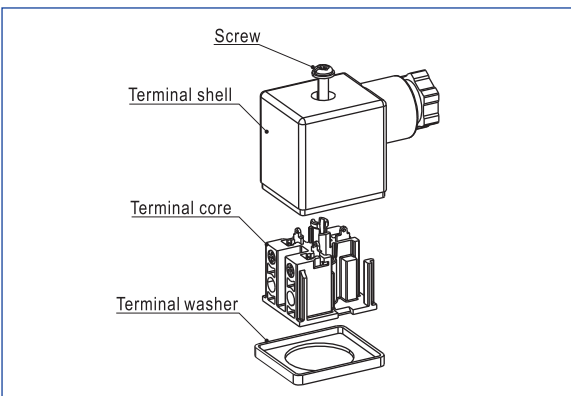
Hookup

Coil's type		Hookup		Connector's type	
116 Series	CDA116 (Terminal)	AC		PL2925M-P1	
	CLA116 (Grommet)	DC		-	
170 Series	CDA170 (Terminal)	AC		2	PL3030M-P1
	CLA170 (Grommet)	DC		-	-

How to select coil

Valve type \ Coil type		116 Series		170 Series	
		Class B	Class H	Class B	Class H
2W□030	2S□030	●	×	×	×
2KW□030	2KS□030				
2L□030	2KL□030	×	●	×	×
2W□050	2S□050	×	×	●	×
2KW□050	2KS□050				
2L□050	2KL□050	×	×	×	●
2W150~250	2S150~250	●	×	×	×
2KW150~250	2KS150~250				
2L150~250	2KL150~250	×	●	×	×
2S320~500	2KS320~500	×	×	●	×
2L320~500	2KL320~500	×	×	×	●

How to use connector



How to select accessories

Valve type \ Coil type			F-2S030LB	F-2S050LB	F-2S150LB	F-2S200LB	F-2S250LB
2W□030	2S□030	2L□030	●	×	×	×	×
2KW□030	2KS□030	2KL□030					
2W□050	2S□050	2L□050	×	●	×	×	×
2KW□050	2KS□050	2KL□050					
2W150	2S150	2L150	×	×	●	×	×
2KW150	2KS150	2KL150					
2W200	2S200	2L200	×	×	×	●	×
2KW200	2KS200	2KL200					
2W250	2S250	2L250	×	×	×	×	●
2KW250	2KS250	2KL250					
2S320~500	2L320~500		×	×	×	×	×
2KS320~500	2KL320~500						

Ordering code of coil

CD A116 A □

- Coil type
 - CD: Terminal
 - CL: Grommet
- Coil's bore
 - A116: Coil Specification(Bore size Φ11.6mm)
 - A170: Coil Specification(Bore size Φ17.0mm)
- Temperature resistance class of coil
 - Blank: B Class
 - H: H Class
- Voltage
 - A: AC220V
 - B: DC24V
 - C: AC110V
 - E: AC24V
 - F: DC12V



Fluid control valve(2/2way)

Usable medium for reference

Usable medium

Series	2W. 2KW series	2S. 2KS series	2L. 2KL series
Valve body material	Brass	SUS304	SUS304
Seal material	FPM-F	FPM-F	PTFE
Medium	Dry air	⊙	⊙
	Carbon dioxide CO ₂	⊙	△
	Nitrogen	⊙	△
	Argon	⊙	△
	Water	⊙	⊙
	Pure water	△	⊙
	Saturated vapor	△	⊙
	High temp water(≤150℃)	△	⊙
	ISO VG32 oil	⊙	⊙
	JIS#1 oil	⊙	⊙
	JIS#2 oil	⊙	⊙
	Methanol*	△	⊙
	Eethanol*	○	⊙
	Glycol*	⊙	⊙
	Acetone*	△	⊙
	Propylene butyronitrile*	△	△
	Acetylene*	△	△
	Acetaldehyde*	△	⊙
	Ammonia	△	△
	Ammonia water	△	△
	Isopropanol	⊙	⊙
	Alcohol(High purity)*	⊙	⊙
	Alcohol(Industrial)*	△	△
Aether*	△	⊙	
Ammonia chloride solution	△	△	
Ozone(low concentration)	△	⊙	
Phosphoric acid	△	△	

Series	2W. 2KW series	2S. 2KS series	2L. 2KL series
Valve body material	Brass	SUS304	SUS304
Seal material	FPM-F	FPM-F	PTFE
Medium	Hydrogen peroxide	△	△
	Caustic soda	△	△
	Gasoline*	○	○
	Glycerin*	△	△
	Light oil	⊙	⊙
	Oxygen	⊙	⊙
	Heavy oil A	⊙	⊙
	Heavy oil B	⊙	⊙
	Heavy oil C	⊙	⊙
	Nitric acid 30%	△	△
	Vacuum (medium vacuum)	○	○
	Vacuum(high vacuum)	△	△
	Sodium hydroxide under 30%	△	△
	Sodium hydroxide above 30%	△	△
	Hydrogen	⊙	⊙
	Soap	△	△
	Azote	⊙	⊙
	Natural gas*	⊙	⊙
	Pipeline gas*	⊙	⊙
	Toluene*	△	△
	Ligroine*	△	△
	Boracic acid	△	△
	Formalin	△	△
Methane*	⊙	⊙	
Lacquer*	△	△	
Ammonium sulfate solution	△	△	
Copper sulfate solution	△	△	

1 Note: ⊙= Excellent(nearly without affect); ○= Good(workable though some affect); △= Poor(large affect).

2 Note: “*” means inflammable and explosive dangerous fluid. Please use the relative explosion proof coil.

3 Note: Under the corresponding gaseous state medium, PTFE seal is with a little leakage(≤300mL/min).

4 Note: Please consult the technical department before using fluid that has not been shown in the above table.



Fluid valve